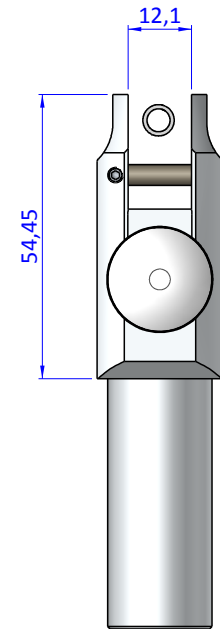
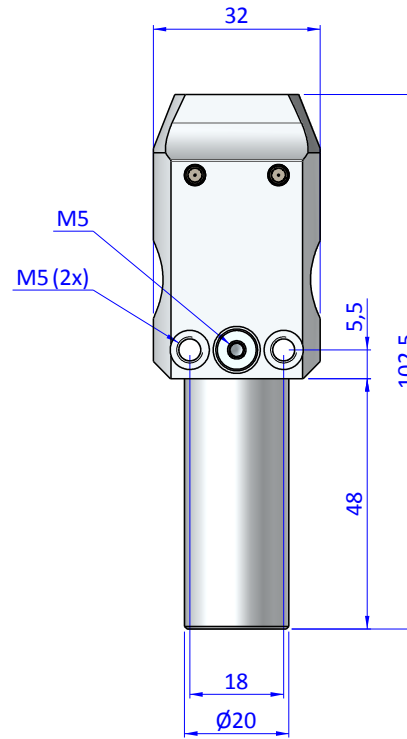
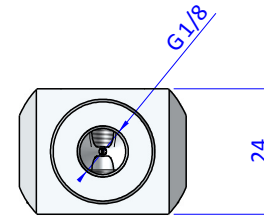
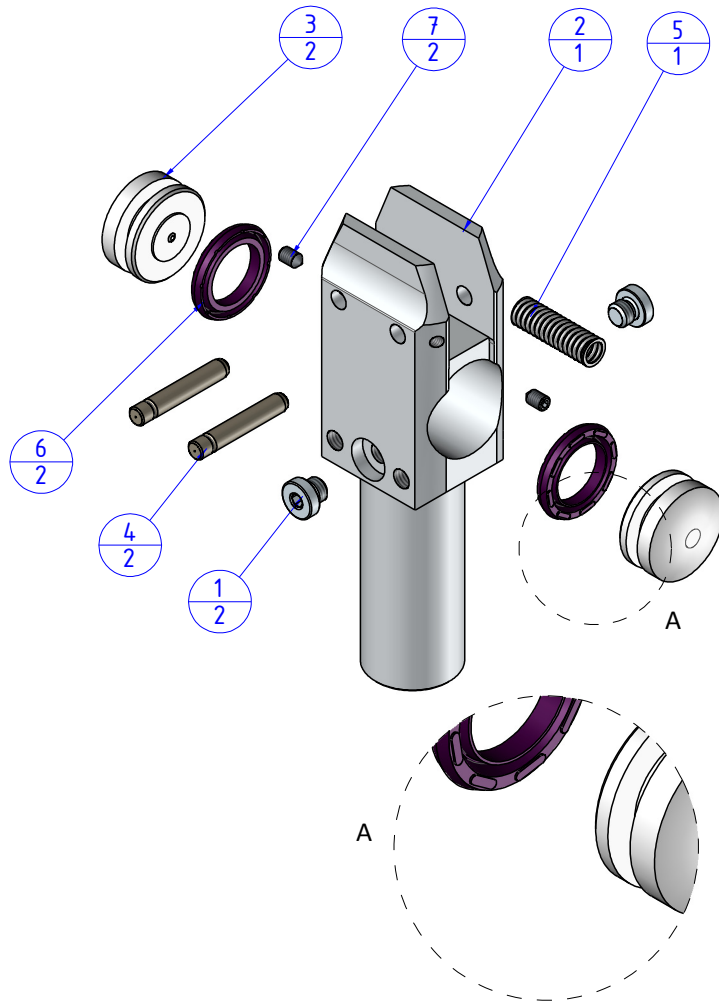



THE PROPERTY OF THE DRAWING IS ESTABLISHED BY LAW. IT IS FORBIDDEN TO PRODUCE OR SHOW IT TO THIRD PARTY, WITHOUT A WRITTEN AGREEMENT.

Item	Name	Qty.
1	CA.08.14.013	2
2	GTS.1004.01	1
3	GTS.1004.02	2
4	GTS.1004.03	2
5	M.6X35	1
6	PSP.201325	2
7	V.STM3X5	2



 <b>FPS</b> FPSERVICES AUTOMATION		DESIGNED FROM		REVIEW
		FPS Automation		A
GENERAL TOLERANCE		DATE	WEIGHT	
UNI - ISO 2768		25/03/2019	0,094kg	
CLASSE F		CODE		
		GTS.04.G18		GTS.04.G18

Format A3

UNI 936-76